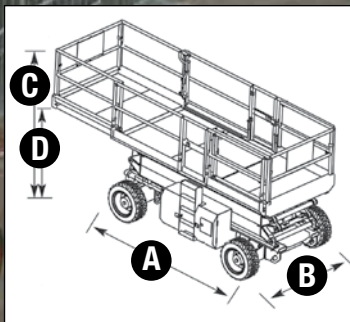


DIESEL SCISSOR



Skyjack SJ-7135



SKYJACK SJ-7135

Specification	Metric	Imperial
Working Height	12.50m	41ft
Platform Height	10.67m	35ft
Max Deck Extended	4.29m	14ft 1in
Safe Working Load (SWL)	454kg	1,000lb
SWL (Extension Deck)	227kg	500lb
Length	A 3.22m	10ft 7in
Width	B 1.83m	72in
Height	C 2.87m	9ft 5in
Height (Rails Folded)	D 2.13m	7ft
Weight	5,095kg	11,234lb
Power Source	Diesel	
Gradeability	17°	

