

# Omme Lift 2200 RBD

class 21m-24m



## CASE STUDY

Nature of job:  
**Maintenance of the glass front of a large building**  
 Reason for choosing this Spider Lift:  
**Speed of set up, size, non-marking tracks**

A facility management company needed to carry out vital maintenance on a building with a large glass façade.



With a width of 1.10m, the Omme 2200 RBD fitted through the narrow entrance and didn't occupy much floor space. Non-marking tracks were needed on the restaurant's finished floor.



Setup time only took 3 minutes and the workers were able to carry out maintenance on the glass at a height of 20m, causing minimal disruption to the flow of customers.



## SPECIFICATIONS

Specification	Metric	Imperial
Working Height	21.80m	71ft 6in
Platform Height	20.00m	65ft 7in
Working Outreach	12.20m	40ft
Slew	400°	-
Width	Travelling	1.10m
	Max. Working	5.40m
	Min. Working	3.45m
Length	Travelling	6.40m
	Outrigger	5.40m
Height	1.98m	6ft 6in
Minimum Weight	3,160kg	6,968lb
Platform Capacity	200kg	440lb
Platform Size	1.25m x 0.80m x 1.10m	49in x 31in x 43in
Track Surface Area	1.20m x 0.23m	47in x 9in
Outrigger Plate	0.44m x 0.28m	17in x 11in
Drive Speed	-	-
Maximum Setup Incline	40% (21.8°)	-
Gradeability	40% (21.8°)	-
No. Outrigger Positions	2	-

## FLOOR LOADINGS

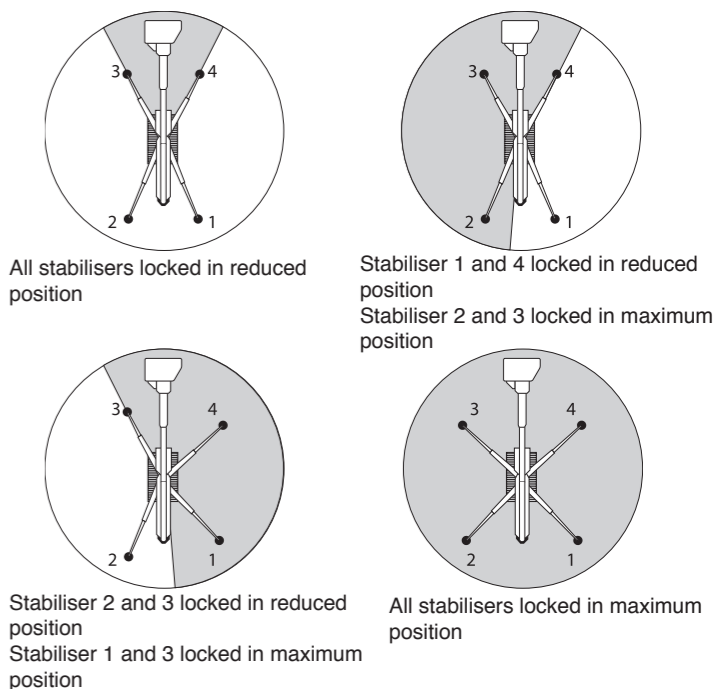
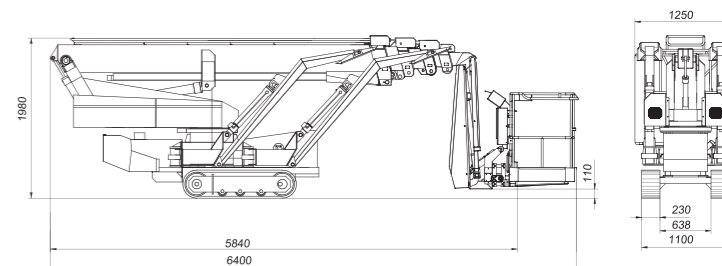
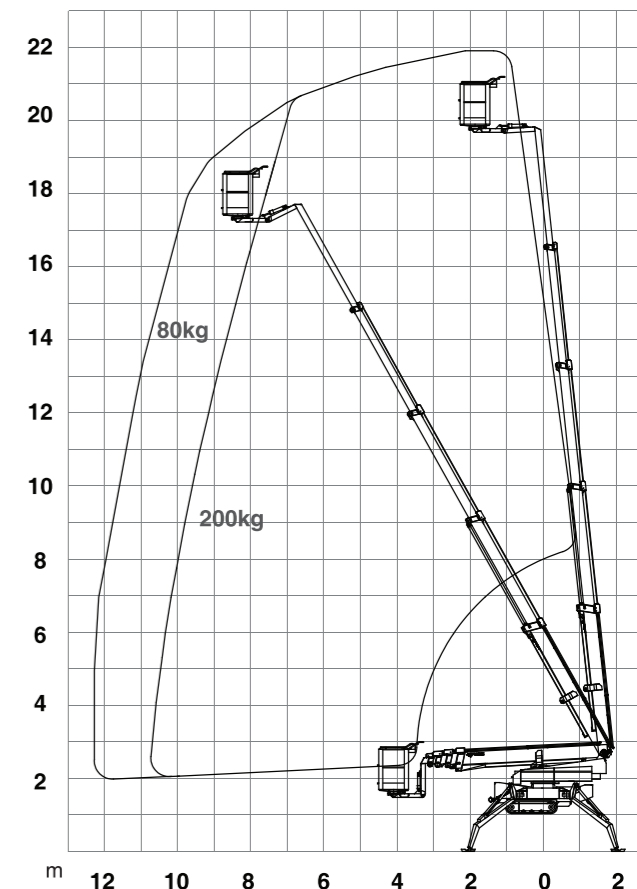
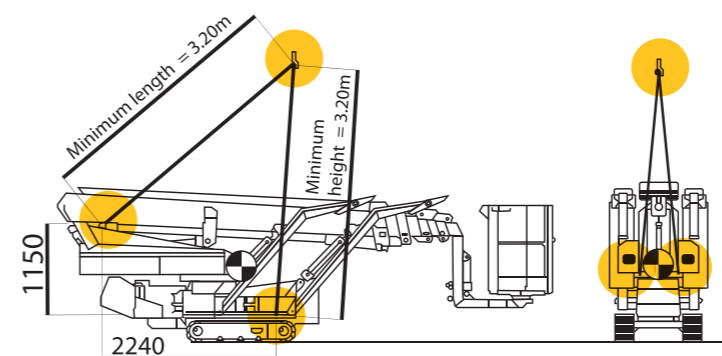
Surface	Metric	Imperial
Max. Load per Outrigger	1,835kgf	4,047lbf
Max. Track Surface Pressure (Soft Ground)	0.55kg/cm <sup>2</sup>	1,126lb/ft <sup>2</sup>
Max. Ground Pressure with Standard Outrigger Pads (0.85x0.60m)	0.36kg/cm <sup>2</sup>	737lb/ft <sup>2</sup>

## PLUG-IN VOLTAGE

110V or 240V, 16Amp  
 Charges onboard batteries.

## CRANING

It is recommended to use slings of the same length and the minimum length should be 3.2m. It is important to comply, as the machine must always hang at a backwards angle (please see sketch) and the lift must never tip forwards during lifting.



## KEY FEATURES

- Variable jacking:** Allows the machine to be set up in a small enclosed area.
- Remote controls:** Better overview and high flexibility while walking alongside the machine.
- Outreach:** As a telescopic boom this machine has an extensive outreach.

setup time	3:00 engine	3:00 battery
WORKING HEIGHT	21.80m	
WEIGHT	3,160kg	
OUTREACH	12.20m	
LENGTH	6.40m	
WIDTH	1.10m	

